



Shielded Surface Mount Power Inductors - SDC103R SERIES

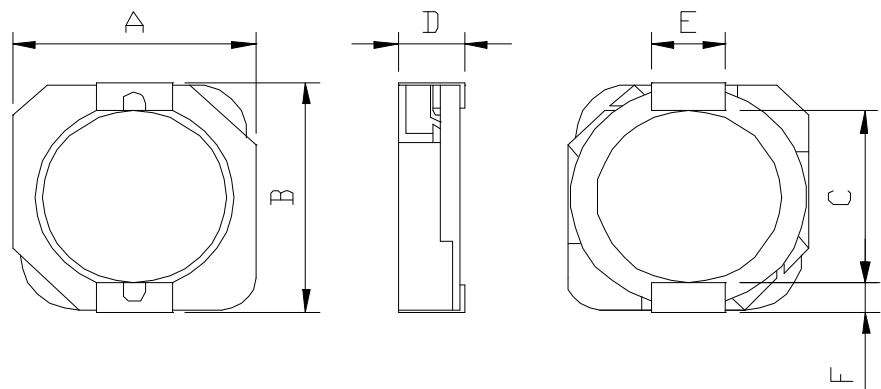


PART NUMBERING SYSTEM

SDC	103R	—	220N	—	LF
TYPE	DIMENSIONS		INDUCTANCE		LEAD FREE

SHAPES AND DIMENSIONS

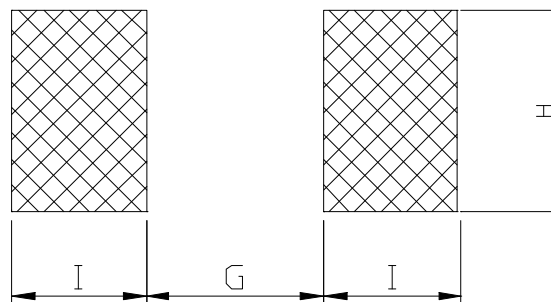
UNIT : mm



A=10.3 max. B=10.5 max. C=7.70 REF D=3.1 max. E=3.0 REF F=1.2 REF

RECOMMENDED PATTERNS

UNIT : mm



H= 3.20 G= 7.30 I= 1.60 J= 1.60

FEATURES

- Low profile (3.10mm max. height) and 10.3mmx10.5mm max. square.
- Magnetically shielded and low DC resistance .



Shielded Surface Mount Power Inductors - SDC103R SERIES



ELECTRICAL CHARACTERISTICS :

PART NUMBER	INDUCTANCE (μ H)	DCR (m Ω) (Max.)	Isat (A) (Max.)	Irms (A) (Max.)	TEST FREQ. (Freq.)
SDC103R-0R8N-LF	0.8 \pm 30%	5.7	11.2	8.30	100KHz
SDC103R-1R5N-LF	1.5 \pm 30%	11.0	8.0	5.80	100KHz
SDC103R-2R2N-LF	2.2 \pm 30%	16.9	6.7	5.10	100KHz
SDC103R-3R3N-LF	3.3 \pm 30%	21.0	5.56	4.70	100KHz
SDC103R-4R7N-LF	4.7 \pm 30%	30.0	4.65	4.00	100KHz
SDC103R-6R8N-LF	6.8 \pm 30%	35.0	3.84	3.60	100KHz
SDC103R-8R2N-LF	8.2 \pm 30%	50.0	3.54	3.00	100KHz
SDC103R-100N-LF	10 \pm 30%	59.0	3.18	2.80	100KHz
SDC103R-150N-LF	15 \pm 30%	91.0	2.60	2.05	100KHz
SDC103R-220N-LF	22 \pm 30%	143	2.16	1.60	100KHz
SDC103R-330N-LF	33 \pm 30%	202	1.74	1.35	100KHz
SDC103R-470N-LF	47 \pm 30%	299	1.43	1.20	100KHz
SDC103R-560N-LF	56 \pm 30%	325	1.36	1.15	100KHz
SDC103R-680N-LF	68 \pm 30%	429	1.22	0.95	100KHz
SDC103R-820N-LF	82 \pm 30%	494	1.14	0.80	100KHz
SDC103R-101N-LF	100 \pm 30%	683	1.02	0.70	100KHz
SDC103R-121N-LF	120 \pm 30%	754	0.89	0.65	100KHz
SDC103R-151N-LF	150 \pm 30%	871	0.84	0.51	100KHz

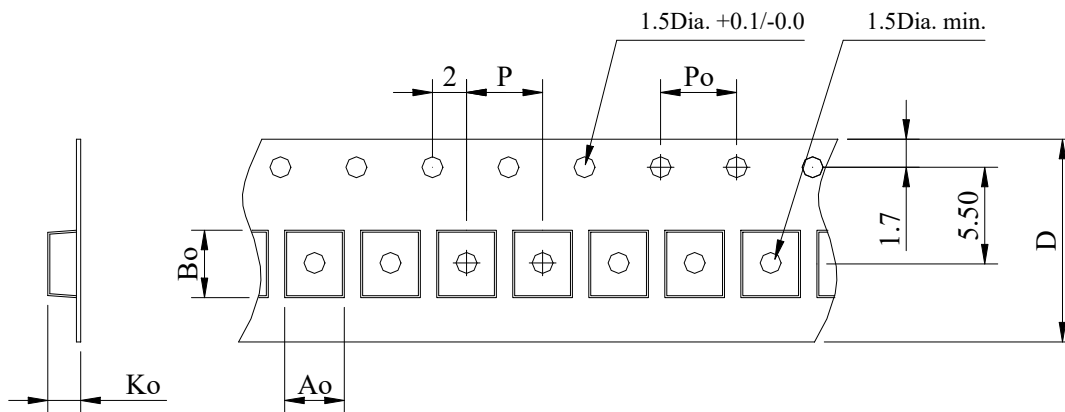
- Isat : DC current at which the inductance drops 35% (typ) from its value without current.
- Irms: The actual current when temperature of coil becomes Δ 40°C . (Ta=+25°C)
- Operating temperature range -40°C to +125°C , Electrical specifications at 25°C.



Shielded Surface Mount Power Inductors - SDC103R SERIES



PACKAGING SPECIFICATION



STAYLE	Q'TY (PCS)	DIMENSIONS (m/m)					
		A_o	B_o	K_o	P	P_o	$D \pm 0.3$
13"	1,000	10.40	10.40	3.1	16.0	4.00	24.0